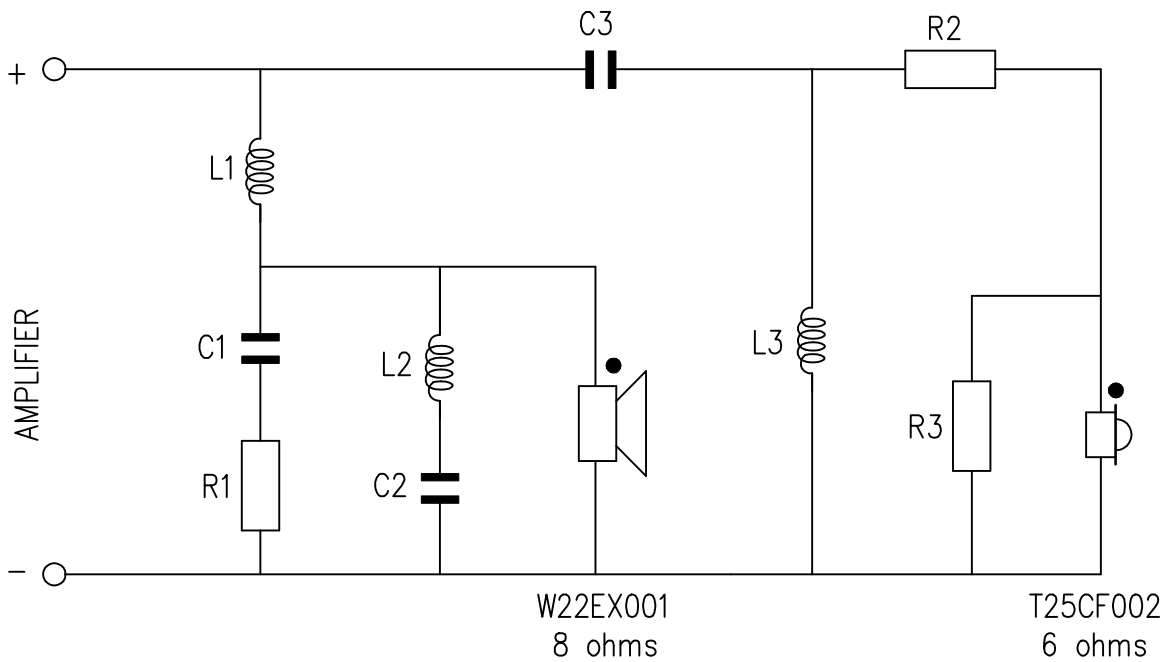


CROSSOVER NETWORK for TRYM



COIL	CAPACITOR	RESISTOR
L1 = 2,00mH 0,37ohm TRITEC 1.98mm ²	C1 = 12,2μF MKT 160V	R1 = 3,9R MOX 10W
	C2 = 4,4μF MKT 160V	R2 = 3,3R MOX 10W
L2 = 0,22mH 0,39ohm ø0,71mm	C3 = 10,0μF MKP 400V	R3 = 22,0R MOX 10W
L3 = 0,56mH 0,65ohm ø0,71mm		